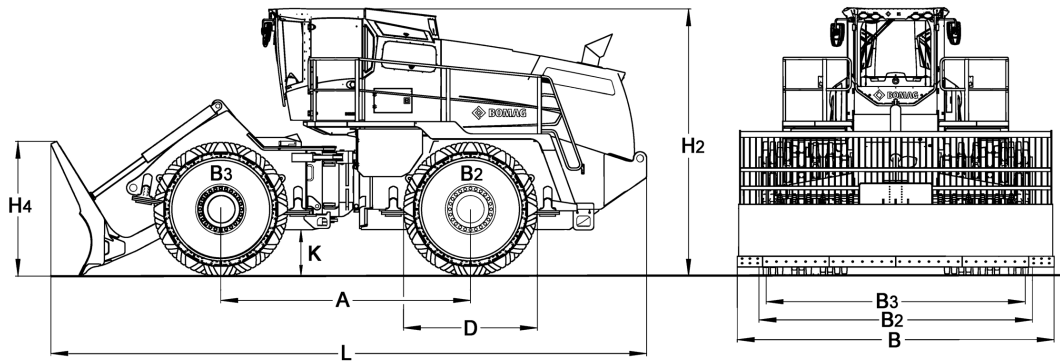


TECHNICAL DATA

REFUSE COMPACTOR

BC 873 RB-5, BC 973 RB-5, BC 1173 RB-5





Dimensions in mm

	A	B	B2	B3	D	H2	H4	K	L
BC 873 RB-5	4110	4540	4030	3795	2150	4375	2225	740	9780
BC 973 RB-5	4110	5200	4500	4265	2200	4400	2285	765	9780
BC 1173 RB-5	4110	5200	4500	4265	2200	4400	2285	765	9780

Shipping dimensions in m3

BC 873 RB-5	194,255
BC 973 RB-5	223,766
BC 1173 RB-5	223,766

Technical Data

Weights

Grossweight	kg	42.300	48.500	57.400
Operating weight CECE	kg	41.700	47.900	56.600

Driving Characteristics

Speed (1), forward	km/h	0- 12,0	0- 12,0	0- 12,0
Speed (1), reverse	km/h	0- 12,0	0- 12,0	0- 12,0
Max. gradeability (dep. on soil con.) .	%	100	100	100
Max. pushing force	kN	448	502	613

Drive

Engine manufacturer		Cummins	Cummins	Cummins
Type		X15	X15	X15
Emission stage		Stage V / TIER4f	Stage V / TIER4f	Stage V / TIER4f
Exhaust gas aftertreatment		DOC+DPF+SCR	DOC+DPF+SCR	DOC+DPF+SCR
Cooling		Liquid	Liquid	Liquid
Number of cylinders		6	6	6
Gross power SAE J 1995	kW	336,0	429,0	429,0
Gross power SAE J 1995	hp	456,0	575,0	575,0
Performance SAE J 1349	hp	456,0	576,0	575,0
Speed	min-1	1.700	1.700	1.700
Travel system		hydrost.	hydrost.	hydrost.
Operating voltage	V	24	24	24

Compaction Wheels

Width, front	mm	1.200	1.400	1.400
Width, rear	mm	1.200	1.400	1.400
Number of teeth/cutters, front		60	72	72
Number of teeth/cutters, rear		60	72	72
Compaction coverage per side	mm	1.320	1.520	1.520

Brakes

Service brake		hydrost.	hydrost.	hydrost.
Parking brake		hydromec.	hydromec.	hydromec.

Steering

Steering system		oscil.artic.	oscil.artic.	oscil.artic.
Steering method		hydraulic	hydraulic	hydraulic
Track radius, inner	mm	3.492	3.292	3.292
Steering / oscillating angle +/-	grad	40/15	40/15	40/15

Dozer Blade

Height adjustment over ground level .	mm	1.375	1.375	1.375
Height adjustment below ground level	mm	50	50	50
Dozer blade capacity acc. to SAE J 1265	m3	13,8	15,8	15,8

Capacities

Fuel	l	980,0	980,0	980,0
Engine oil	l	47,0	47,0	47,0
Hydraulic oil	l	590,0	590,0	590,0
AdBlue (DEF) ®	l	100,0	100,0	100,0

Technical modifications reserved. Machines may be shown with options.

BOMAG BC 873 RB-5

BOMAG BC 973 RB-5

BOMAG BC 1173 RB-5

Standard Equipment

Optional Equipment

- Polygonal compaction wheels, velded forged teeth
- Blade (5200mm)
- Premium compaction wheels with highly wear resistant teeth
- Fire extinguisher
- Special painting
- Protective ventilation system (Pre-installation)
- Hood lock (anti-theft protection)
- Tool kit
- Semi-U-Blade 5244mm
- Cold start device 115V
- Cold start device 230V
- TELEMATIC POWER



PRE 930 61 010

090721 Sa

BOMAG
Hellerwald
D-56154 Boppard
P.O. Box 5162
Tel. (0)6742 - 1000
Fax (0)6742 - 3090

