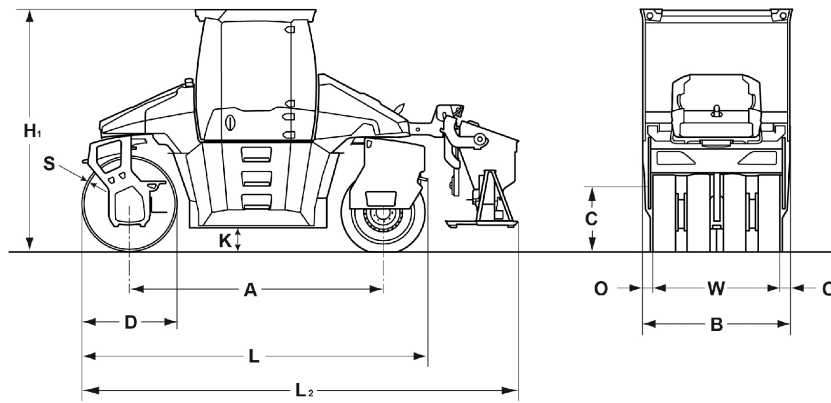


TECHNICAL DATA

COMBINATION ROLLER

BW 154 ACP-5, BW 174 ACP-5





Dimensions in mm

	A	B	C	D	H1	K	L	L2	O	S	W
BW 154 ACP-5	2890	1680	790	1100	3020	260	3990	5030	90	16	1500
BW 174 ACP-5	3220	1860	780	1200	3050	280	4420	5520	90	17	1680

Shipping dimensions in m3

BW 154 ACP-5
BW 174 ACP-5

with cabin

20,244
 25,075

Machine type	Compaction output (t/h) at different asphalt layer thicknesses		
	2-4 cm	6-8 cm	10-14 cm
BW 154 ACP-5	30-55	60-120	80-150

Technical Data**BOMAG
BW 154 ACP-5****BOMAG
BW 174 ACP-5****Weights**

Operating weight CECE w. ROPS-cabin	kg	7.300	9.000
Static linear load CECE	kg/cm	25,4	27,4
Axle load, drum CECE	kg	3.810	4.600
Axle load, wheels CECE	kg	3.490	4.400
Wheel load CECE	kg	870	1.100
Max. weight	kg	8.300	10.300

Dimensions

Track radius, inner	mm	2.950	2.970
---------------------------	----	-------	-------

Driving Characteristics

Speed	km/h	0- 11,0	0- 11,0
-------------	------	---------	---------

Drive

Engine manufacturer		Kubota	Deutz
Type		V3307 -T	TCD 3.6
Emission stage		Stage V / TIER4f	Stage V / TIER4f
Exhaust gas aftertreatment		DOC+DPF	DPF+SCR
Cooling		Liquid	Liquid
Number of cylinders		4	4
Performance ISO 14396	kW	55,4	74,4
Performance SAE J 1995	hp	74,2	99,6
Speed	min-1	2.400	2.200

Drums and Tyres

Drum width	mm	1.500	1.680
Number of tyres		4	4
Split drum		front	front

Brakes

Service brake		hydrost.	hydrost.
Parking brake		mech.	mech.

Steering

Steering system		2-p. pivoted	2-p. pivoted
Lateral displacement right/left	mm	1.130	1.360

Exciter system

Construction		radial	radial
Autom. vibr. shut off		standard	standard
Amplitude	mm	0,73/0,41	0,62/0,35
Frequency	Hz	47/60	47/60
Centrifugal force	kN	101/85	101/86

Capacities

Fuel	l	180,0	180,0
Water	l	550,0	680,0
Emulsion	l	32,0	32,0

Technical modifications reserved. Machines may be shown with options.

Standard Equipment

- ECOMODE
- 10" Touchscreen
- Water-saving pressure sprinklers
- Pressure sprinkler system Emulsion
- Individual vibration control
- 2 amplitudes / 2 frequencies
- Autom. vibration operation
- 2 spring-loaded hinged scrapers
- Indicator and hazard lights
- ROPS cabin with seat belts
+ heating
- 2 Outside mirrors
- Steering method/Operator's seat sliding /
rotatable (270°)
- Steering with comfort control
- 5 Steering modes
- Back-up alarm
- Emergency STOP
- Brake release device
- Split drums

Optional Equipment

- ECONOMIZER
- Edge cutter
- Rotary beacon
- Special paint
- Environmentally compliant hydraulic oil
- Tool kit
- Precision spreader
- Precision spreader laterally slidable
- Automatic air conditioning
- Thermal aprons
- Radio/Radio preparation
- LED lighting package
 - additional lateral lighting for cabin
 - Follow-me-home function
 - Lighting for drum edge
 - 2x 12V sockets in supports
- Backup warning buzzer with broadband
technology
- Additional outside mirrors
- Air-suspended comfort seat
- BOMAG TELEMATIC POWER
- BOMAG ECOSTOP
- BOMAP compaction navigation with GPS
- JOBLINK measuring technology interface
- BOMAP GPS antenna set
- BOMAP GPS antenna holder

